

RAINPROOF DYNAMO LED BICYCLE LIGHT

SB-6027/Doule action flashlight

www.SORBO.cn

This product adopts the principle of cranking for power generation. Cranking the handle to drive the generator to generate alternating current by professional designed driving gear. Then changing the alternating current into DC after commutating and voltage stabilizing which to charge its built in 80mAh, 3.6V battery.

Switch models: Low level lighting→ high level lighting→ flashing→ off.

Functions:

- ▶ Cranking for power generation
- ▶ Switch models: Low level lighting→high level lighting→flashing→off
- ▶ Rainproof: IP44
- ▶ Long distance lighting and close-range lighting

Features:

- ▶ Cranking for power, low noise but high efficiency
- ▶ Rainproof function
- ▶ No batteries are needed
- ▶ Long life-span
- ▶ Fashion design

1)Lighting:

High level lighting time after 1 minute cranking	≥12 min
Low level lighting time after 1 minute cranking	≥29 min
Close-range lighting time after 1 minute cranking	≥25 min
Flashing time after 1 minute cranking	≥45 min
The Max. Luminous Flux of high level lighting	≥10Lm
The Max. Luminous Flux of low level lighting	≥4.5Lm
The Max. Luminous Flux of close-range lighting	≥2.5Lm
High level lighting time after being charged fully	≥50 min
Low level lighting time after being charged fully	≥2.5hr
Close-range lighting time after being charged fully	≥2 hr
Flashing time after being charged fully	≥3 hr

2)Main parts life-span:

Switch	≥10000 Times
The whole unit	≥5 Years
The plastic part	≥5 Years

3) Size and Weight:

Product size	131*53*71mm
Product weight	150 g

4) Others:

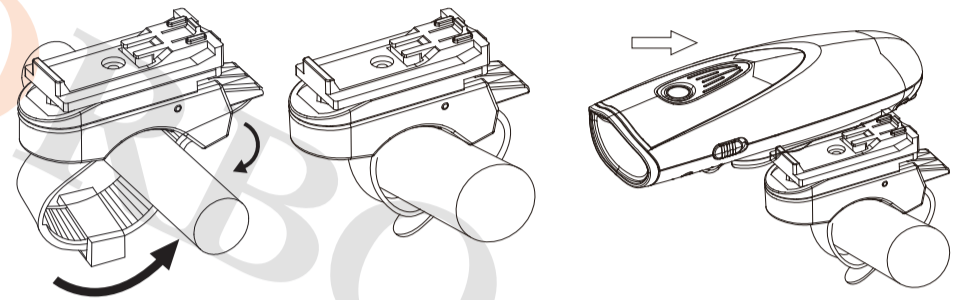
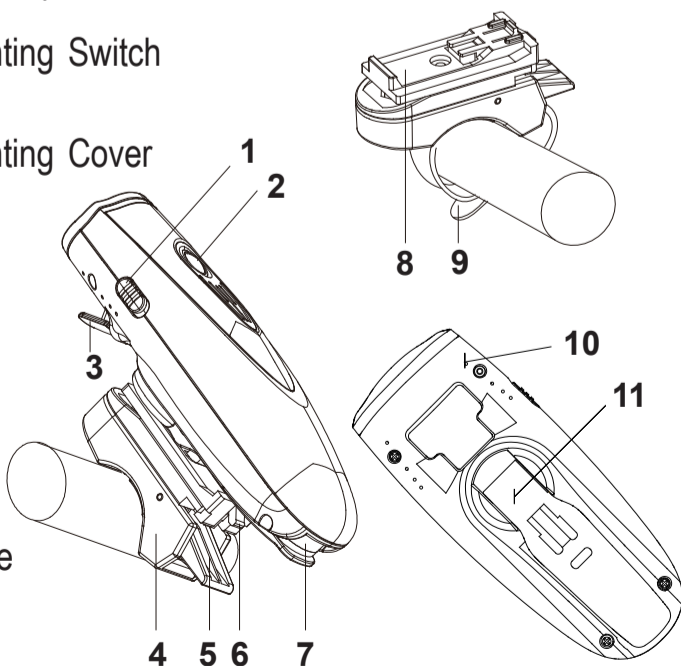
Specification of built-in battery	NI-MH, 80mAh, 3.6 V
Motor	2.5W Brushless

Operation Method

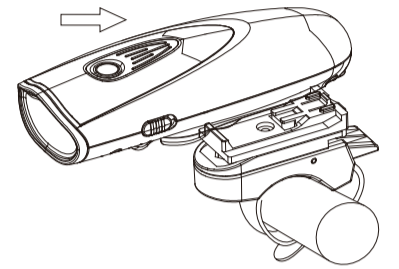
Charging operation:

Crank to charge its inside battery: hold the unit and crank the handle by the other hand at the speed of 3 circles per second to charge its inside battery.

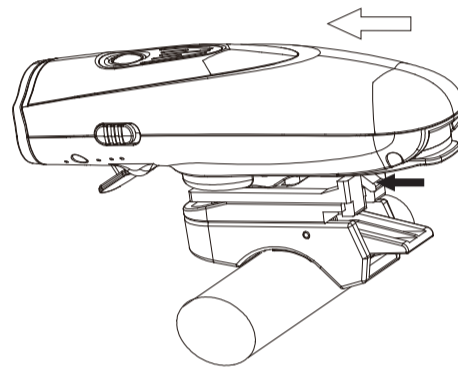
- 1.Close-range Lighting Switch
- 2.Lighting Switch
- 3.Close-range Lighting Cover
- 4.Bracket
- 5.Latch
- 6.Release Switch
7. Head of handle
- 8.Slideway
- 9.Fastening Tape
- 10.Drainhole
- 11.Cranking Handle



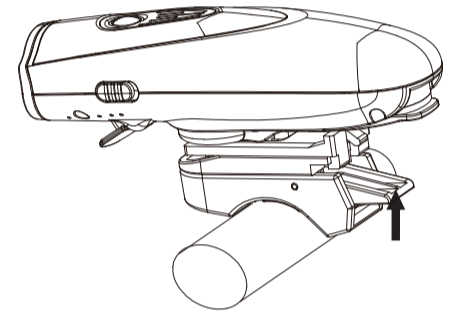
Bracket Installation:
Install the bracket to the handle-bar



Light Mouting:
Slide until it clicks into position



Light Removal:
Push the release switch to release the light



Bracket Removal:
Push the latch upwards, pull out the fastening tape to remove the bracket

Linging

1. Switch models: Low level lighting→ high level lighting→flashing→ off
2. close-range lighting: push the push button, the light will be ON; and close the cover, the light will be OFF

Cautions:

1. Don't point at eyes directly so as not to hurt the eyes.
2. Pay attention to the holding gesture when cranking which can protect your finger and nail from hurting. Keep rotating steadily.
3. In order to assure the using life of the battery and the mechanical parts, pls pay attention to the instructions below:
 - a) Do not crank it for more than 5 minutes when the power of the battery is enough (lighting normally) and less than 10 minutes when it runs out of power.
 - b) When the light is dim, it means the battery is lack of power badly, pls turn off the light or crank it for a while.
 - c) Cranking it as even as possible (keep rotating steadily,2.5 or 3 circles per second is best). Too slowly cranking would make current weak and influence the charging efficiency, and too violent cranking possibly damages the driving system.
 - d) In order to prolong the lifespan of the battery, you should crank it for at least one minute once a month.
4. Do not place this product in which temperature or humidity is high. Do not drop or hit this product.
5. Turn off the light when charging in order to enhance the efficiency of charging .
6. The product will be a little hot if cranking for a long time.
7. We do not give notice again if the parameter of this product changed.
8. We reserve the final right to interpret this product.



MADE IN CHINA