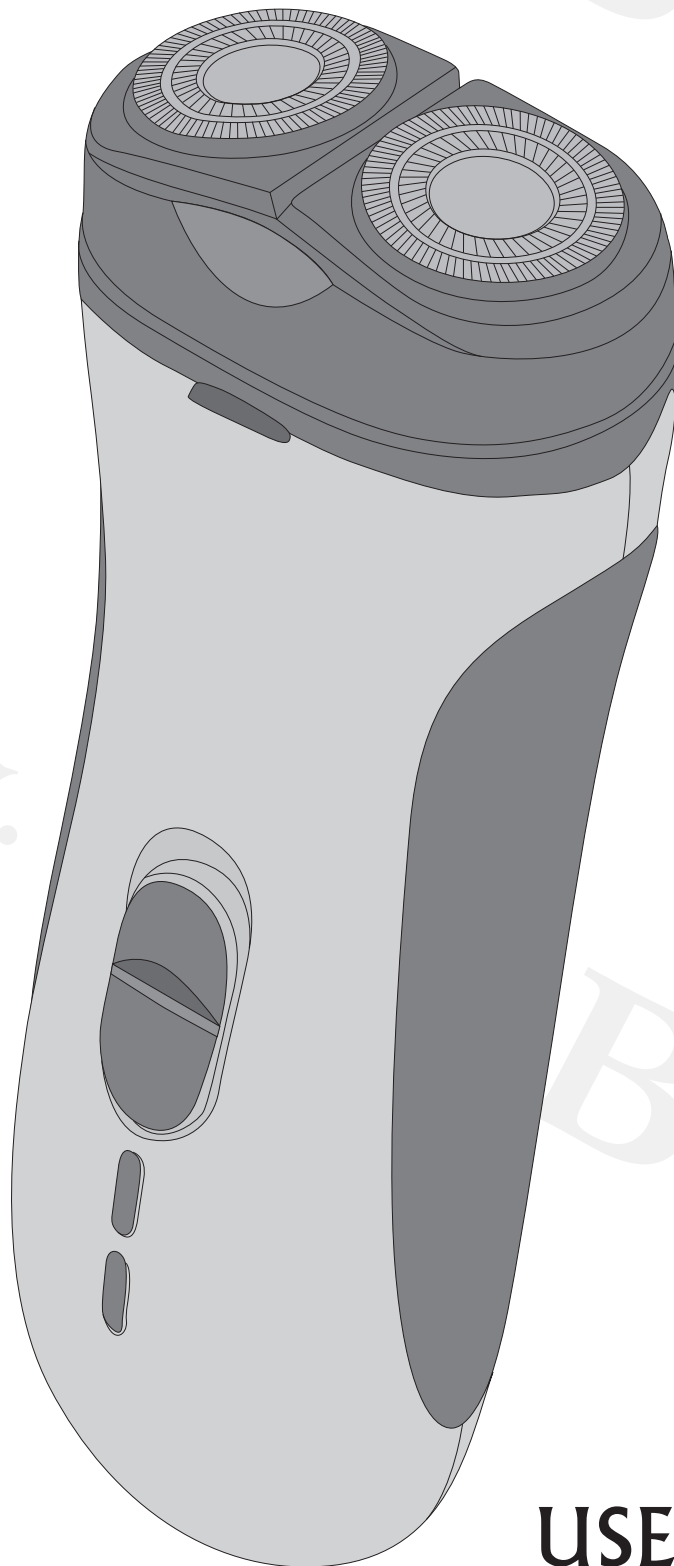


# Hand Crank Shaver

SB-8011/Distinctive dual shaving head design

www.SORBO.cn

# HAND CRANK SHAVER



USER MANUAL

# Hand Crank Shaver

SB-8011/Distinctive dual shaving head design

www.SORBO.cn

# HAND CRANK SHAVER

---

USER MANUAL

In order to enable you to operate your shaver easily, it is equipped with a comprehensive user manual in which you can obtain the relevant product introduction such as use method. Please read this manual carefully before using and reserve it for reference.

## CATALOGUE

Working Principle	1
Features	1
Cautions	2
Operation Method	2
Charging	3
Shaving	3
Cleaning	4
Replacement	5
Disposal of Internal Battery	5
Main Technical Parameters	5
Part Identification	6
Product Accessories	7

## Working principle:

This product uses special adapter and USB cable to charge the inside rechargeable lithium battery, you can also charge the battery through hand cranking. It has a smart protection chip: over charging protection, over-discharge protection, overload protection. Through the slide switch to realize the shaving and trimming functions.

## Features:

- 1.Cranking for power: when it runs out of power, you can crank it for a while and then use it again, it won't be influenced by the outside environment, so it is perfect for camping and travelling.
- 2.Distinctive dual shaving head design:
  - a) 360° sapiential overlay system: the shaving head can move from all the ways so that can cover the face fully.
  - b) Solid and flexible overlay shaving head: it can provide the most comfortable and efficient shaving enjoyment.
  - c) Floating shaving head designed, cling to different kinds of faces and can shave thoroughly.
  - d) Super two blades system: clear the whiskers more thoroughly.
- 3.Soundless power driving: no tremor, comfortable shaving.
- 4.Quick charge, the inside protection circuit can cut off the power automatically when being charged fully.
- 5.You can charge this product via the USB cable or with special adapter.
- 6.Perfect combination of the light weight and high efficiency.

# Hand Crank Shaver

SB-8011/Distinctive dual shaving head design

www.SORBO.cn

- Low noise and long lifespan.
- 7. Generous appearance and convenient to carry and use.
- 8. Charge indicator.

## Cautions:

1. Cranking it as even as possible (keep rotating steadily). Too fast cranking and too violent cranking would possibly damage the driving system. (Cranking of 1-5 minutes may reach the best charging efficiency)
2. Pay attention to the holding gesture when cranking in case of hurting the fingers and nails.
3. Do not rinse it with running water.
4. Do not put this product in a place where temperature is high and moist.
5. In order to prolong the using life of the battery, crank it at least once a month for more than 1 minute. For a long time no use the internal battery is needed to be activated: charge and discharge the battery for three circles (1 minute hand cranking ).
6. To enhance the charging efficiency while cranking please turn the shaver off.
7. It's normal that the product will be a little warm after long time cranking.
8. We do not give notice again if the parameter of this product changed.
9. We reserve the right to final interpretation of this product.

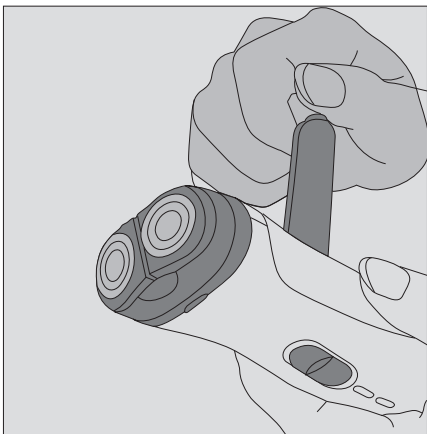
## Operation Method:

# Hand Crank Shaver

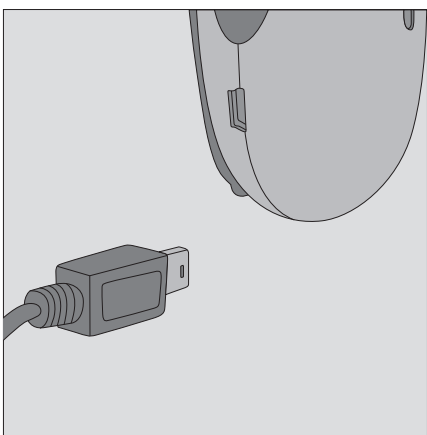
SB-8011/Distinctive dual shaving head design

www.SORBO.cn

## Charging:



1. Cranking for power generation: hold the unit with one hand, and crank the handle with the other hand for about 2-3 circles per second for about 3 minutes (the red charge indicator will glow), push the switch upwards to shave and trim.

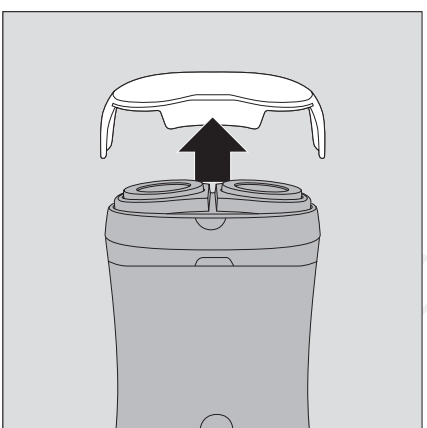


2. You can charge the shaver via the USB cable or special AC adapter. The green charge indicator will glow while charging.

3. It has over charging protection, so don't be worry about over charging.

4. After charging, please take good care of the AC adapter and USB cable for spare use.

## Shaving:

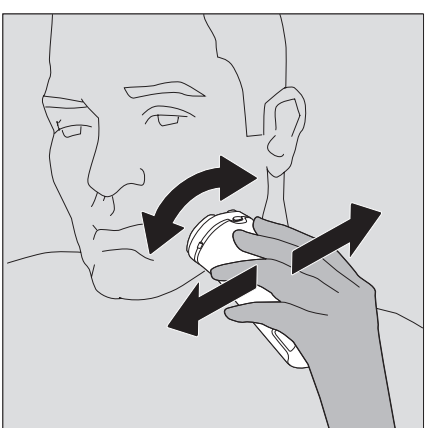


1. Remove the protection cover, push the switch upwards to "on" for shaving.

2. Push the trimmer switch upwards for trimming.

3. The shaving effect will be the best when the face is dry, so please shave before or some time after the face washing. Your skin may take some time to adapt to the shaving system.

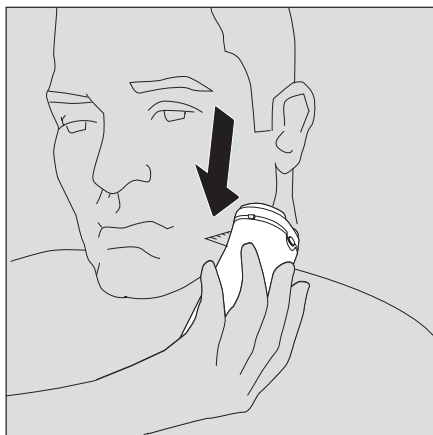
4. Hair of the neck can also be shaved in this way.



# Hand Crank Shaver

SB-8011/Distinctive dual shaving head design

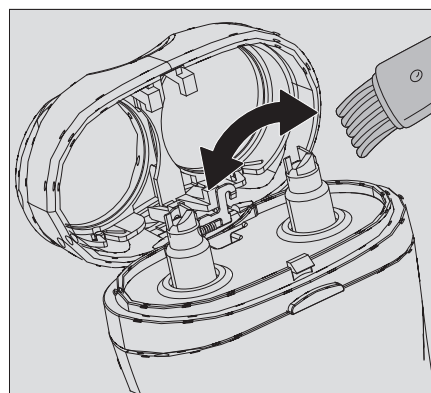
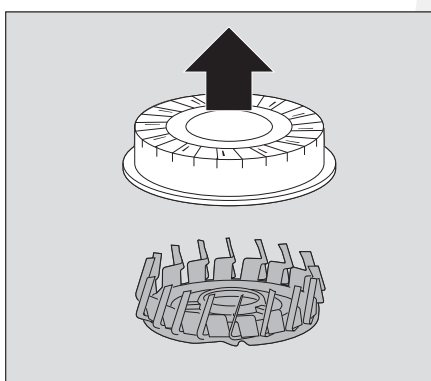
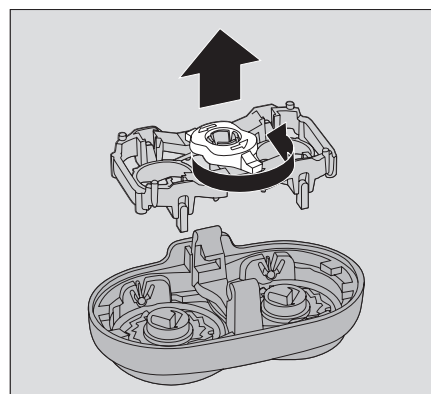
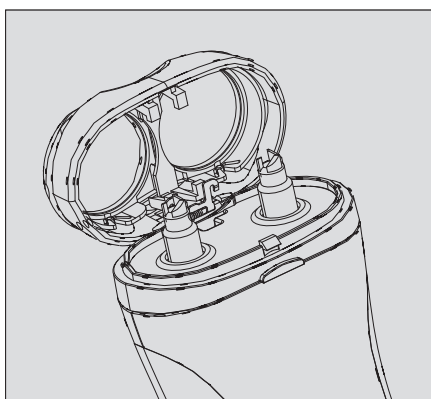
www.SORBO.cn



5. Push the switch down to turn off the shave, and put on the protection cover to avoid damage.

6. Don't use it in case that shaving heads is damaged, as it may hurt your skin.

## Cleaning:



1. Rinse the shaving head regularly. Turn off the shave before cleaning.

2. Disassembly: press the release button to open the shaving head, remove the retaining frame and disassemble the guards.

3. Use the supplied special brush to clean the shaving head.

4. Rinse the whisker chamber with brush.

5. Rinse the shaving heads with brush.

6. Rinse the shaving guards with brush.

7. You can also clean the shaving heads with a degreasing liquid (e.g. Alcohol) when needed. If you do, lubricate the shaving heads with a drop of sewing machine oil after cleaning. This prevents wear of the shaving heads.

8. Remove and assemble the shaving unit carefully in order to avoid damage.

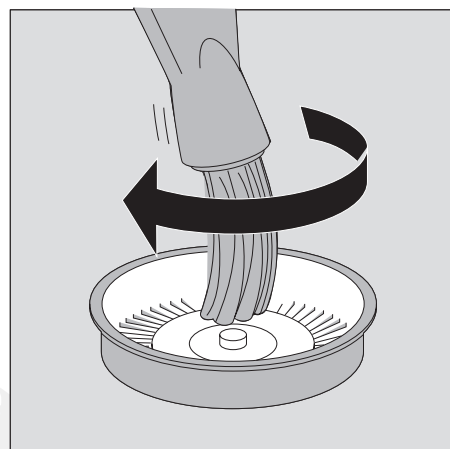
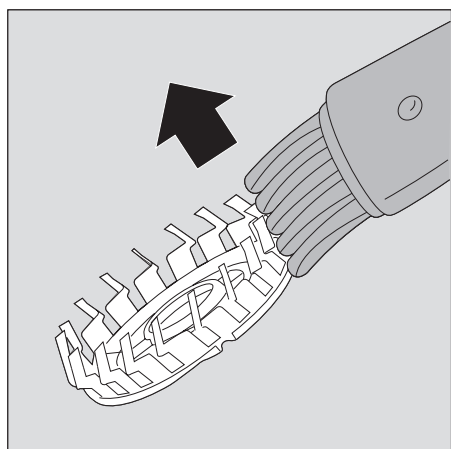
9. Rinse the shaving head weekly for optimal shaving effect.

10. After disassembling of blades and

# Hand Crank Shaver

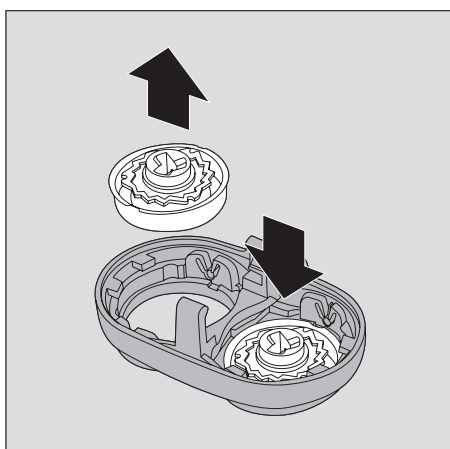
SB-8011/Distinctive dual shaving head design

www.SORBO.cn



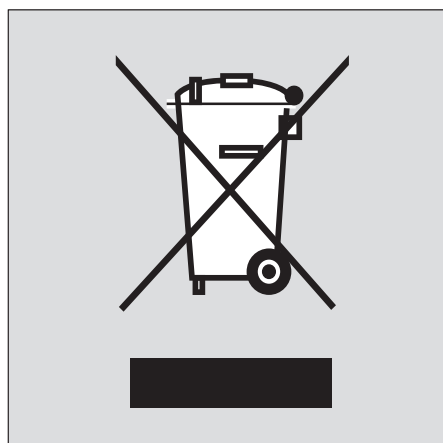
guards, do not mix the two sets of shaving head, it may affect the the shaving result.

## Replacement:



1. Replace the shaving heads every two years for the most effective shaving results.
2. Replace damaged or worn parts with original shaving heads and guards for optimal performance.

## Disposal of the internal battery:



The built-in rechargeable battery contains substances that may pollute the enviroment. Please remove the battery first before you discard or hand it at an official collection point.

## Main Technical Parameters:

Item		Parameter	Unit
Parameters of adapter	Voltage input	AC 100-250	V
	Voltage output	5±0.5	V
	Frequency	50-60	Hz
	Current	400	mA
Shaving time after being charged fully		40	Minutes

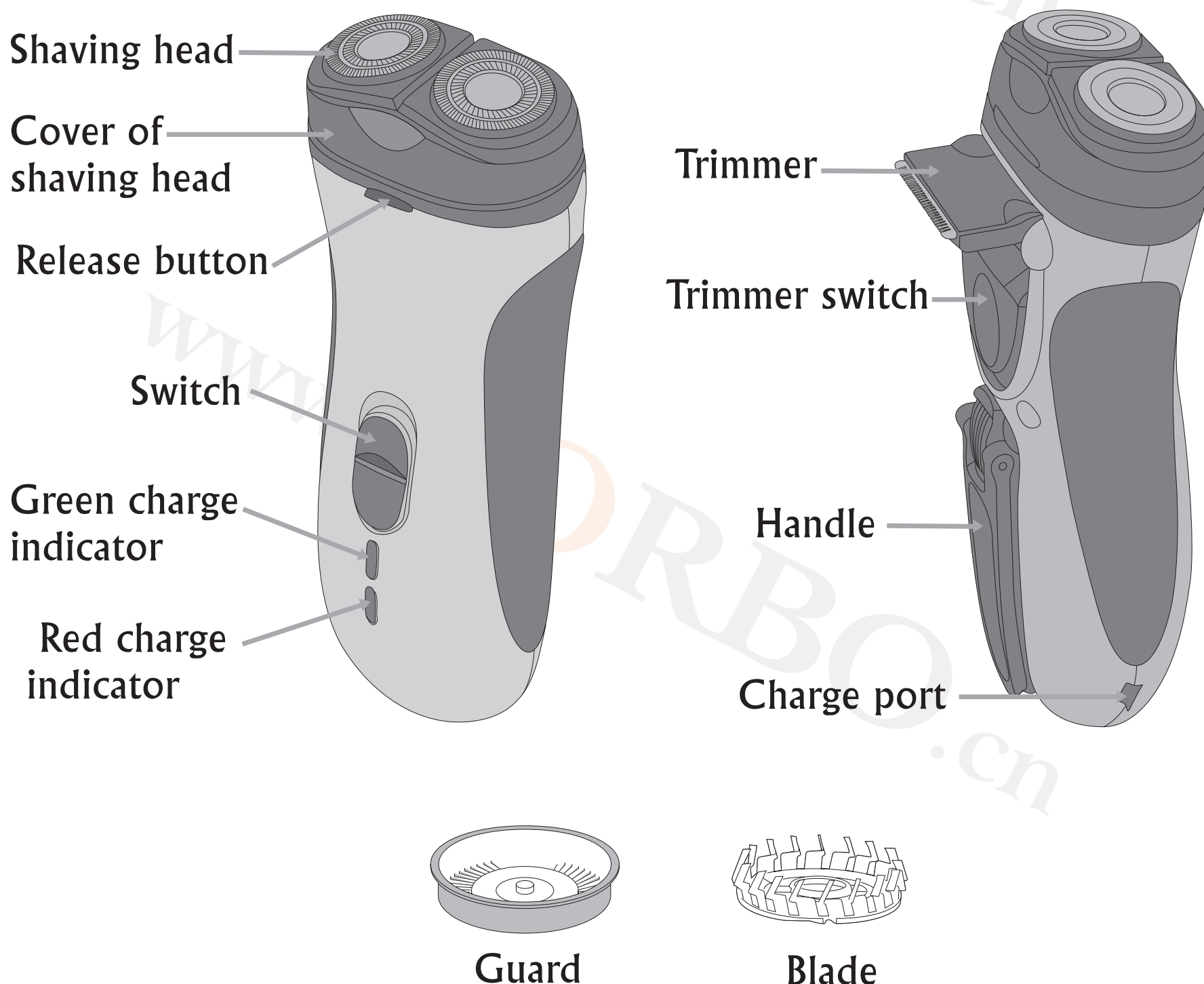
# Hand Crank Shaver

SB-8011/Distinctive dual shaving head design

www.SORBO.cn

Working time of the trimmer after being charged fully	30	Minutes
Shaving time after 1 minute cranking	45	Seconds
Charge time by USB Port	About 5	Hours
Charge time by the Adapter	110V	About 4
	220V	About 3
Whole unit lifetime	>2	Years

## Part Identification

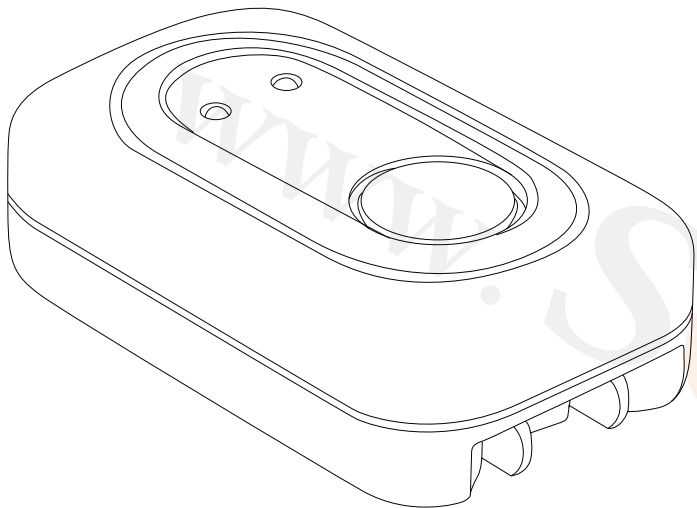


# Hand Crank Shaver

SB-8011/Distinctive dual shaving head design

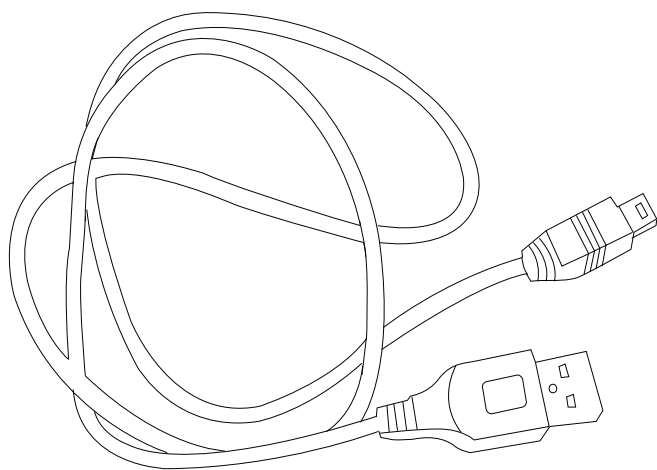
www.SORBO.cn

## Product Accessories



### Adapter

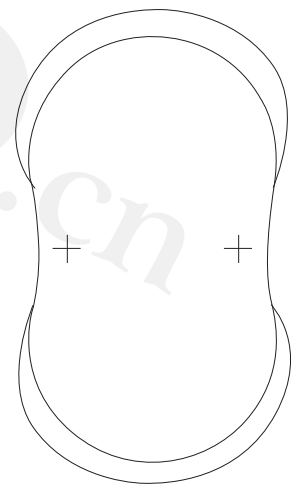
(different types in different countries)



USB cable



cleaning brush



protection cover

## Declaration

Our company will take the responsibility of repair and maintenance of the problems the product has itself. We are not responsible for the result of improper operation, self maintenance and other unusual things leading to damage and accidents, as well as the result caused by it.

Our company reserve the right to improve product. The product design and specification may change without notice.